

## GHG-TMH Dual Axis Torque Hinge

### Features

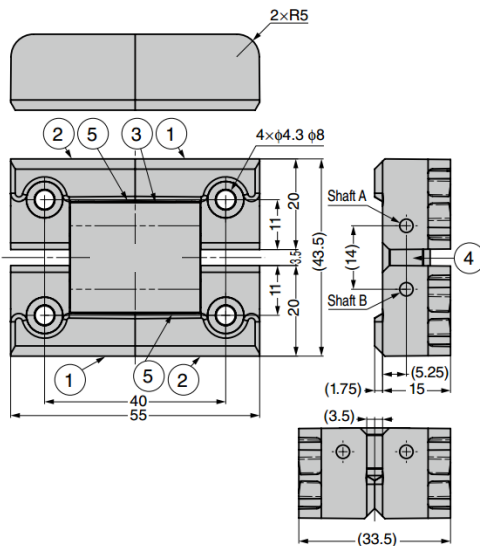
- Can be opened 180°
- Shafts do not protrude when the hinge is fully open or closed
- Different torque of two shafts provides easy operation
- Suitable for applications such as folding tables, etc.

### Notes

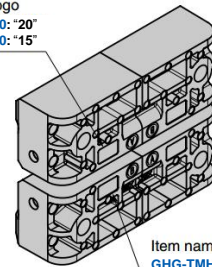
- Swivel use only. Ensure that both hinge shafts are aligned during installation
- Use hard wood or similar strong material and ensure screws are tightened

### Recommended Screws

- Countersunk head screw M4 (for sheet metal)
- Countersunk head tapping screw 4 (for wood)

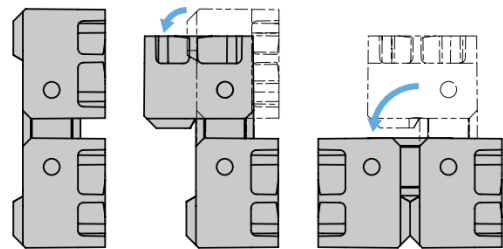


Item name logo  
GHG-TMH2030: "20"  
GHG-TMH1530: "15"

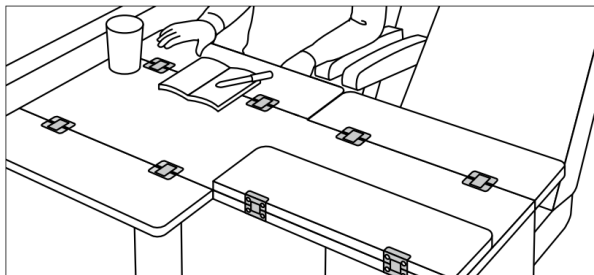


Item name logo  
GHG-TMH2030: "30"  
GHG-TMH1530: "30"

### Hinge Motions



### Application Example

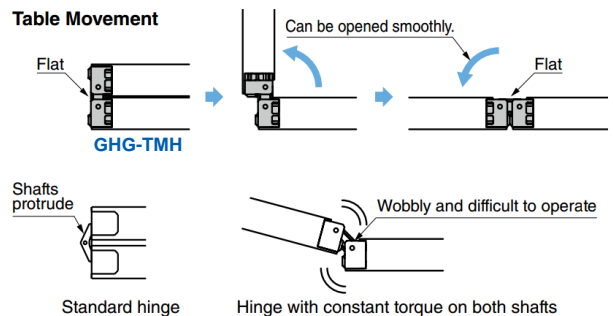


When fully opened



Flat and shafts do not protrude.

### Table Movement



No.	Part name	Material	Finish/colour
①	Body A	Zinc Alloy (ZDC)	Chrome
②	Body B		
③	Intermediate Body		
④	Sleeve	PBT	Black
⑤	Bumper		

Part No.	Shaft A		Shaft B	
	Torque (N.m)	Torque (kgf.cm)	Torque (N.m)	Torque (kgf.cm)
GHG-TMH2030	2.0 N.m ±20%	20.4 kgf.cm ±20%	3.0 N.m ±20%	30.6 kgf.cm ±20%
GHG-TMH1530	1.5 N.m ±20%	15.3 kgf.cm ±20%		